



www.exo-terra.com

Terrarium Cabinet



Operating instructions
Mode d'emploi
Aufbauanleitung
Instrucciones de Uso
Gebruiksaanwijzing

PT2706 / PT2707

TERRARIUM CABINET

Natural Terrarium Stand

- Stylish & elegant design
- Sturdy and durable construction
- Tempered glass doors with soft touch magnetic latches
- Flat packed and easy to assemble
- Available in 3 sizes

The elegantly designed Exo Terra® Terrarium Cabinets are the perfect complement to the Exo Terra® Terrariums. Finished in contemporary black with smoked tempered glass doors, these cabinets will show off your terrarium beautifully. The soft touch magnetic latches and slick metal hinges of the swing-open door(s) allow for easy access and give the cabinet a modern designer look. The integrated storage cabinet allows you to keep any unsightly live food or other accessories out of sight, while the external shelf creates a handy display area for books or all sorts of miscellaneous items. The Exo Terra® Terrarium Cabinets are flat packed for convenience and easy to assemble. Constructed in the UK from FSC certified material (responsible forest management system), these durable and sturdy Exo Terra® cabinets are not only beneficial to the environment but they create a stunning reptile set-up in any home setting.

- PT2706 Exo Terra® Cabinet 45,4 x 45,4 x 70,5 cm / 17 7/8 x 17 7/8 x 27 3/4 in – Fits the Exo Terra® Natural Terrariums Small
- PT2707 – Exo Terra® Cabinet 60,5 x 46,5 x 70,5 cm / 24 1/4 x 18 1/4 x 27 3/4 in – Fits the Exo Terra® Natural Terrariums Medium
- PT2708 – Exo Terra® Cabinet 90,5 x 46,5 x 70,5 cm / 36 x 18 1/4 x 27 3/4 in – Fits the Exo Terra® Natural Terrariums Large

Assembly Instructions

Unpack all content from the box, and remove wrapping material from the components.

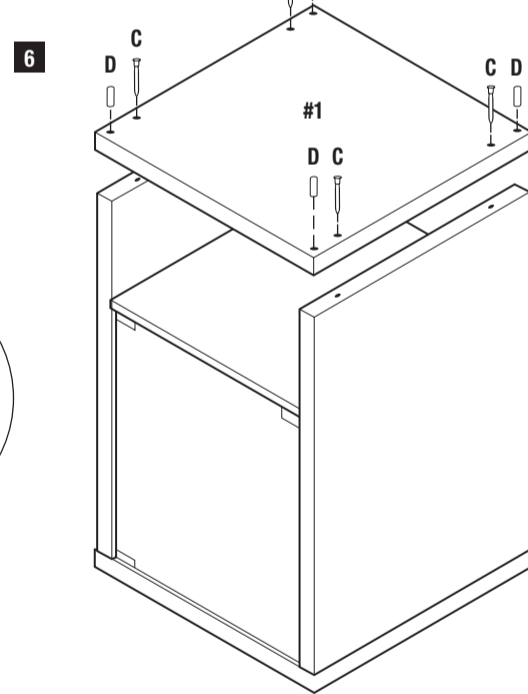
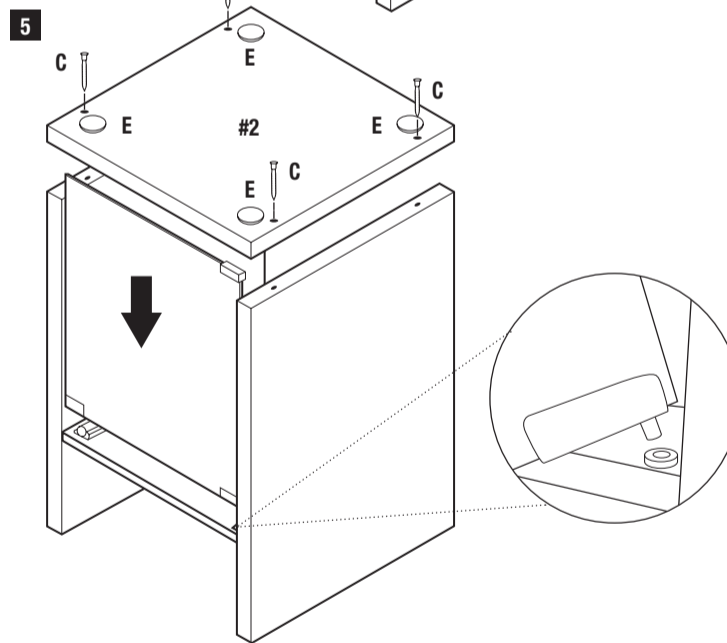
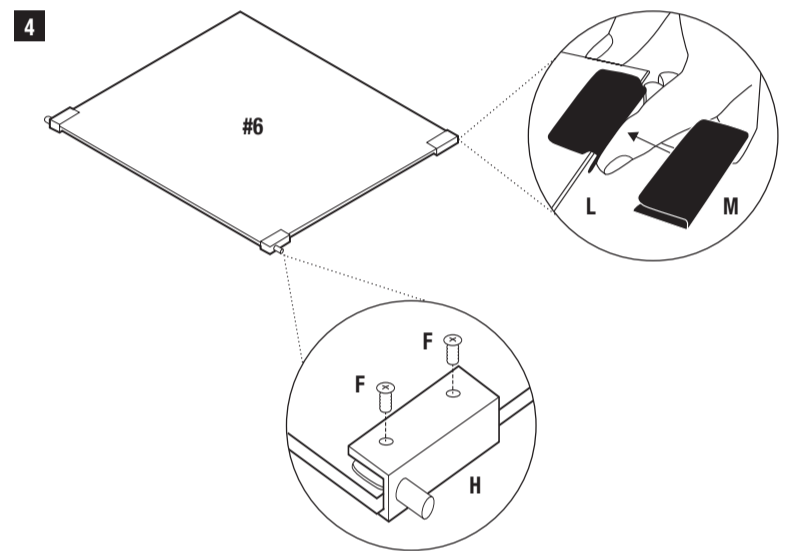
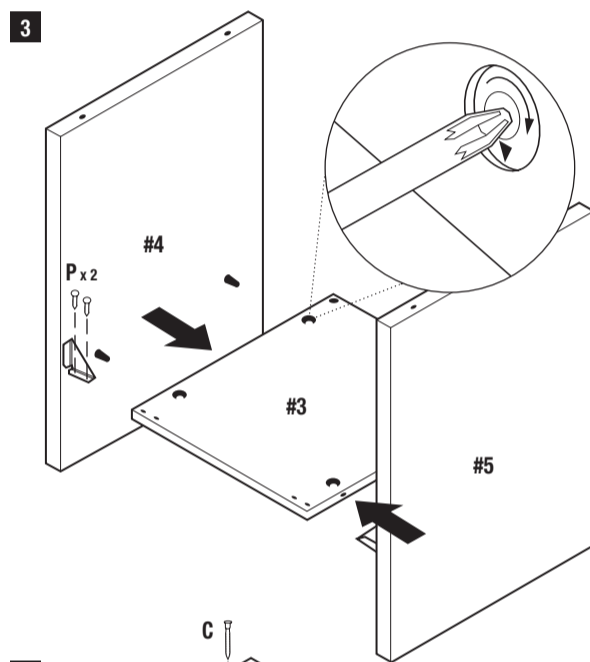
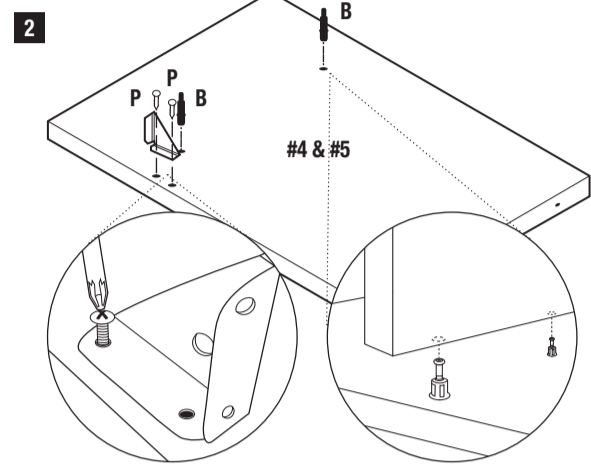
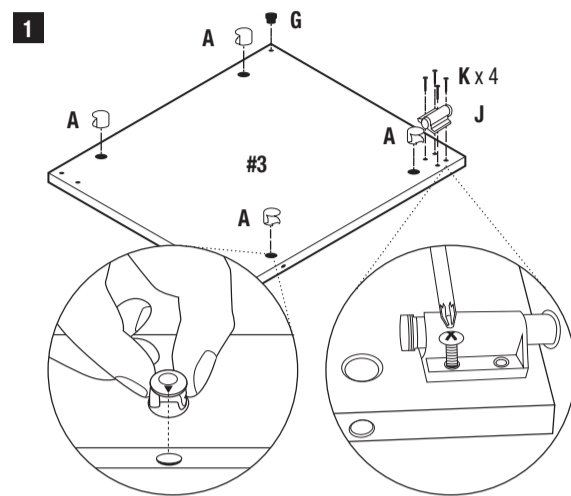
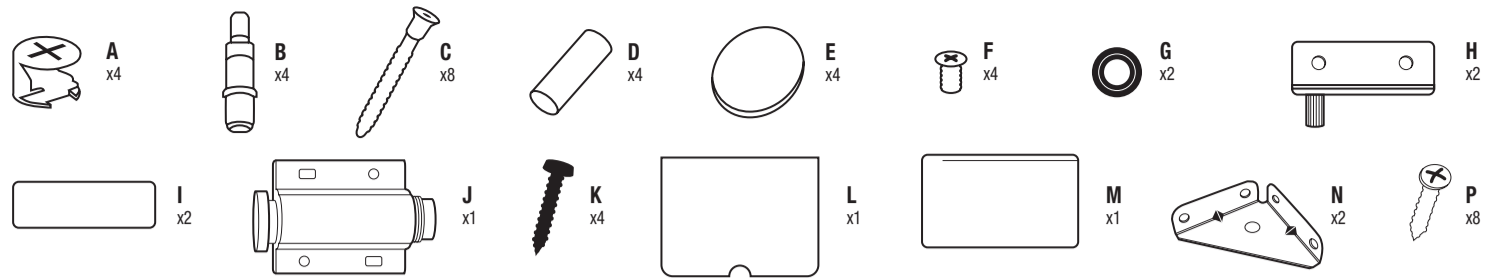
Tools required: Screwdriver

Assembly: Use a flat, stable surface to assemble the Exo Terra® Terrarium Cabinet.

Read the assembly instructions carefully to avoid any mistakes.

1 Start with panel #3. Attach the magnetic lock (J) with the black screws (K) using a screwdriver. Insert the plastic bushings (G) and the 4 cam locks (A) in the designated holes. Make sure the arrow on the cam lock (A) points towards the screw holes in the side of the panel.

2 Side panels #4 & #5: Use screws (P) to attach the corner brackets (N). Insert the cam screws (B) in the designated holes.



3 Now the side panels (#4 & #5) can be attached to panel #3. Insert the cam screws (B) in the holes in the side of panel #3. Use screws (P) to attach the corner brackets (N) to panel #3 and turn the cam locks (A) with a screwdriver until the cam screws (B) are secured.

4 Prepare the glass door #6: each door has a smooth glass outside and a rough inside. Stick the self-adhesive metal glass-protection gasket (I) on the rough inside of the door, the gaskets should align with the shorter side of the door. Use two screws (F) to attach the pivot hinges (H) and make sure the screws touch the metal glass-protection gasket on the inside and not the smooth glass outside of the door. The bush of the pivot hinge should be placed closest to the pivoting side of the door. Stick the self adhesive protection foam (L) on the upper corner of the glass door, opposite the pivot hinge, and secure the catch plate (M).

5 Insert the plastic bushings (G) in the bottom panel #2. Then place the bottom panel on the existing construction. Screw in the four screws (C), to connect the bottom panel to the side panels, only halfway. Now you can place the glass door(s)

in the designated holes. Make sure the catch plate (M) touches the magnetic latch. Fasten the screws completely and stick the self adhesive felt pads (E) to the bottom panel (see image).

6 Turn the construction upside down and attach the upper panel #1 with four screws (C). Place the metal secure pins (D) in the pin holes. Your Exo Terra® Terrarium Cabinet is now ready for use!

Compatible with: Exo Terra® Natural Terrariums & Screen Terrariums: Small, Medium and Large

TERRARIUM CABINET

Support pour terrarium en verre

- Design raffiné et élégant
- Construction solide et résistante
- Porte(s) en verre trempé à loquets magnétiques faciles à ouvrir
- Emballage plat et meuble facile à assembler
- Vendu en 3 formats

D'un design élégant, les Meubles pour terrarium Exo Terra® s'agencent parfaitement avec les

terrariums Exo Terra®. Accentués d'un fini noir au goût du jour et de portes en verre trempé et fumé, ces meubles mettront merveilleusement bien en valeur votre terrarium. En plus d'offrir une allure stylisée et moderne, les portes pivotantes à loquets magnétiques sont faciles à ouvrir et leurs charnières de métal poli permettent d'accéder facilement à l'intérieur du meuble. De plus, un espace de rangement intérieur permet de dissimuler les aliments vivants peu esthétiques ou d'autres accessoires. Par ailleurs, la tablette extérieure offre un endroit pratique pour disposer livres ou articles divers. Les Meubles pour terrarium Exo Terra® sont faciles à assembler et leur emballage plat est pratique. Fabriqués en Grande-Bretagne à partir de matériaux certifiés FSC (Forest Stewardship Council), ces meubles solides et résistants respectent l'environnement en plus d'offrir aux reptiles un magnifique habitat, peu importe le décor de votre foyer.

- Meuble pour terrarium Exo Terra®, 45,4 x 45,4 x 70,5 cm (17 7/8 x 17 7/8 x 27 3/4 po) (PT2706), convient au Terrarium en verre Exo Terra®, petit
- Meuble pour terrarium Exo Terra®,

